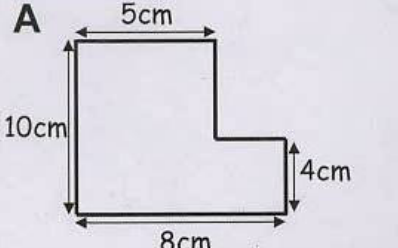
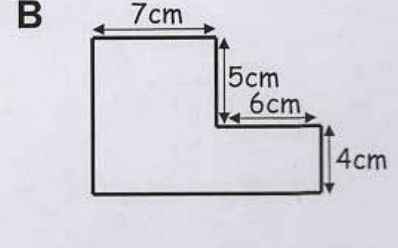
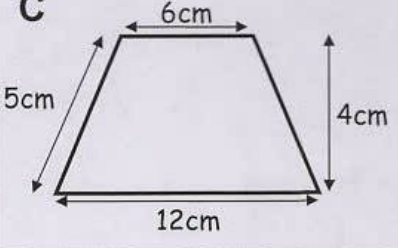
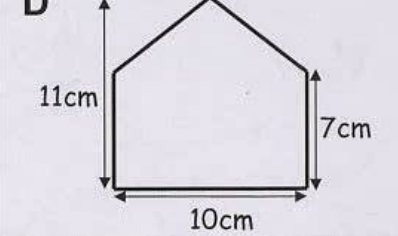
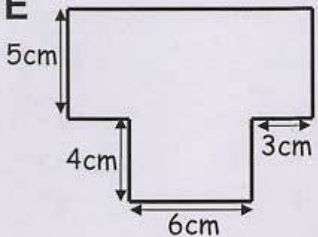
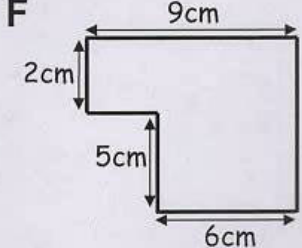
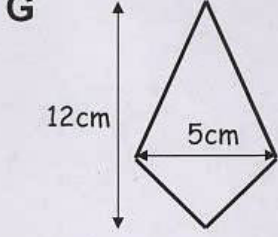
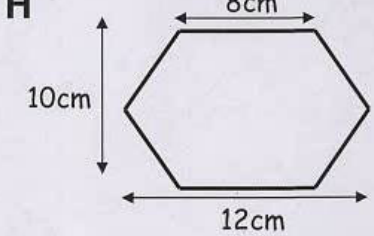


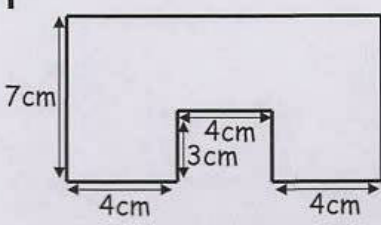
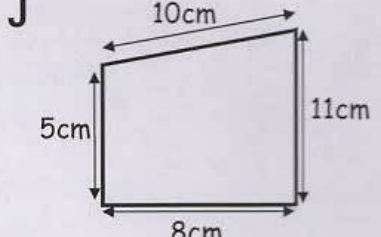
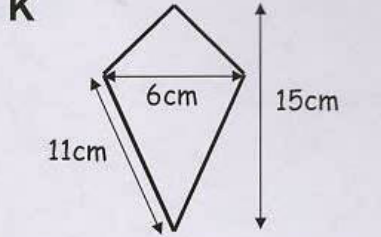
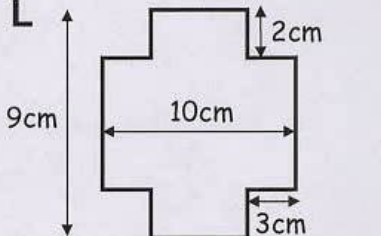
VII Standard. — ² Assignment — Match the correct area for the given figure.

I

II

<p>A</p> 	<p>90cm^2</p>
<p>B</p> 	<p>48cm^2</p>
<p>C</p> 	<p>30cm^2</p>
<p>D</p> 	<p>45cm^2</p>

<p>E</p> 	36cm^2
<p>F</p> 	100cm^2
<p>G</p> 	64cm^2
<p>H</p> 	66cm^2

<p>I</p> 	87cm^2
<p>J</p> 	62cm^2
<p>K</p> 	72cm^2
<p>L</p> 	84cm^2